

# ADJUSTABLE Z-LIFT STAGE OPTION

### Features

- Independent Control
  - Rotation
  - Z-Height
- Positive Locking
  - Rotation
  - Z-Height
- 360 degree rotational range  
2 degree graduations
- 1 inch (25 mm) adjustability  
0.01 mm graduation

### Benefits

- Additional fine precise control of chuck and Device Under Test DUT

### Models

- Available on Jr-2745  
Upgrade
- Jr-2746  
Standard

### Description

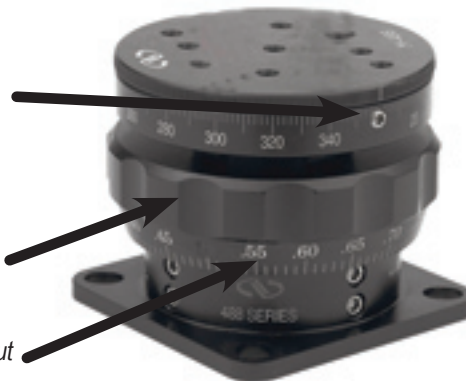
J micro Technology, Inc offers the LMS-45 upgrade to convert a JR-2745 to a Jr-2746 to add set up flexibility. This system is based on a precision rotary jack stand. It is designed to be a cost-effective, versatile solution for adjustment to both the Device Under Test (DUT) height and rotational position. The controls are intuitive and easy to use. The upgrade offers independent, lockable vertical and rotary motions. Graduations for 2 degree rotation and 0.01 mm height.

Rotary Motion Plate - Control angle of chuck with knob on underside of chuck

Lock rotary motion with allen wrench to this set screw.

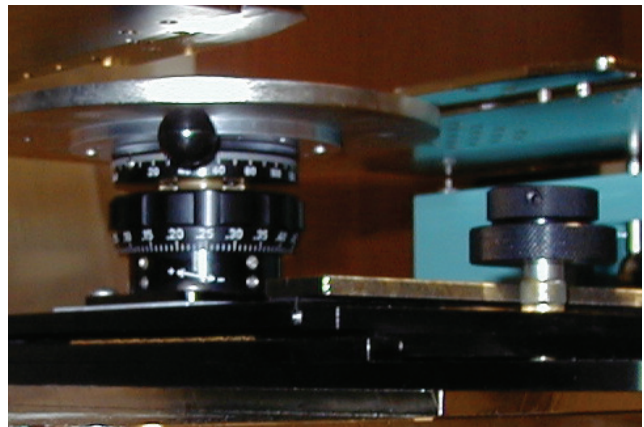
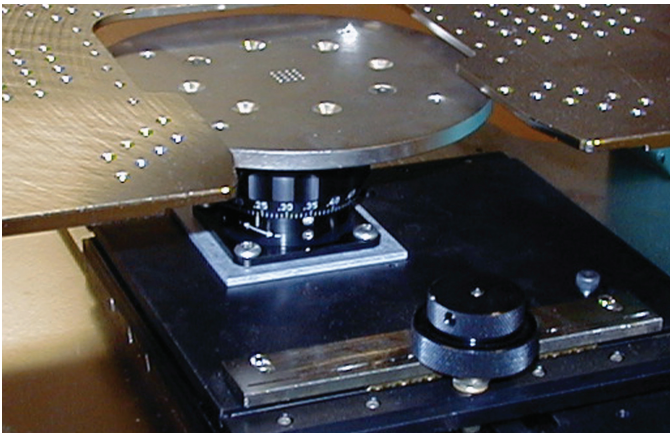
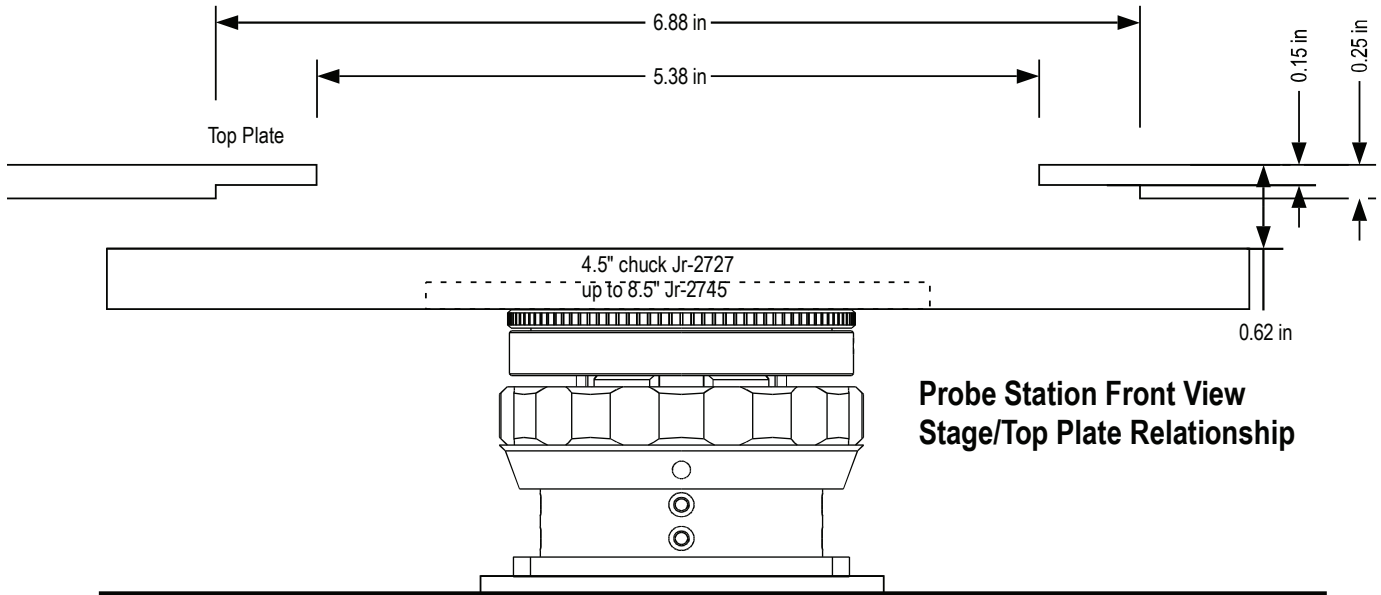
Knurled knob for Z-Height Adjustment. Move front of control knob to the left to elevate chuck.

Z-height locking set screw not shown but is in Z-height adjustment ring.



Once both rotation and Z-height are adjusted to desired position, it is strongly suggested that both locking set screws are engaged to assure rigidity of stage.

# LMS-45 Z-HEIGHT UPGRADE



**JmicroTechnology**  
3744 NW Bluegrass Place  
Portland, OR 97229-7068  
(503) 614 - 9509 [voice]  
(503) 531 - 9325 [fax]

**Jmicro Technology**